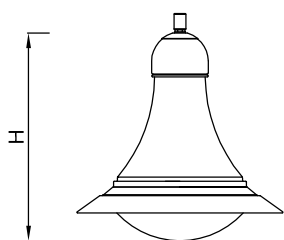
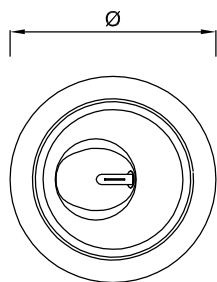
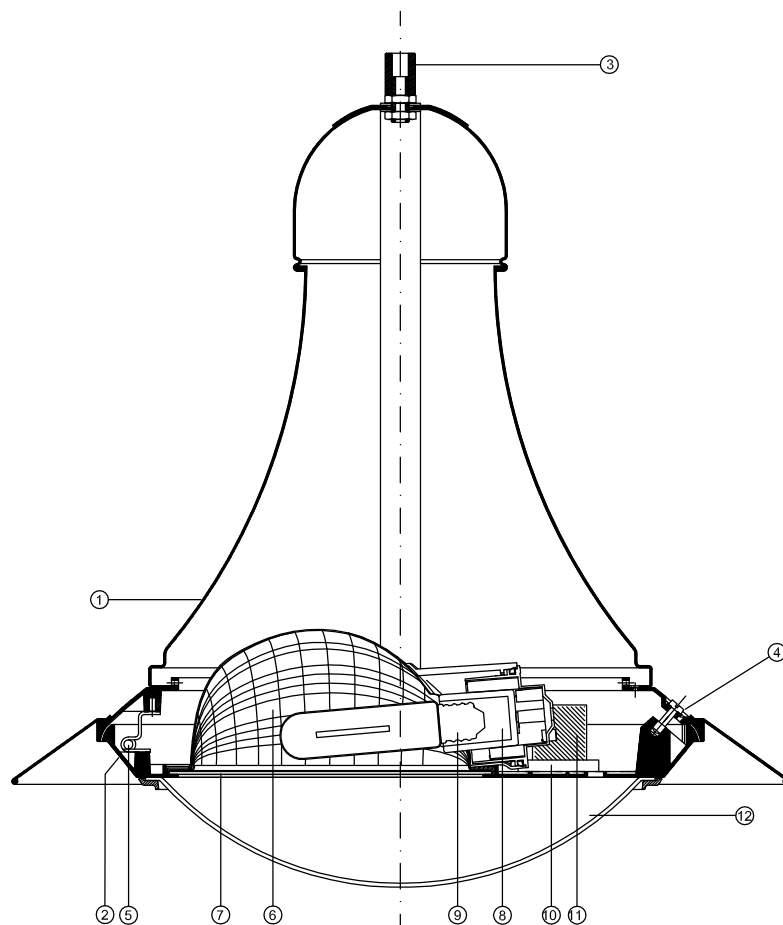


Luminaire

NAUTICA LRA-84600

R. ROS ALGUER, S.A.
Street Lighting Solutions



1. Upper housing made of injected Aluminium.
2. Lower housing made of injected Aluminium.
3. Threaded accessory for wiring and support fixation, 3/4" Gx30mm female.
4. Non-loosening locking screw.
5. Hinge set to opening the upper housing. A fastening system, in stainless steel that fully guarantees opening at an angle of 70°, and avoids accidental closure of upper housing.
- OPTICAL GROUP:
 6. Assymetrical distribution anodized aluminium sheet reflector, model RFL-B12.
 7. Heat resistant glass sealed to the reflector.
 8. Lamp holder adjusting system.
 9. Porcelaine lamp holder E-40, E-27 or G-12, depending on the lamp.
 10. Poliamide 66 + fiberglass frame for control gear elements.
 11. Control gear
 12. Methacrylate clear diffuser

* All screws, nuts and washers in stainless steel.
 * Protection rate: - Optical group IP66.
 - General IP 43.
 * Electrical protection: Class II.

| Reference | DIMENSIONS | | LAMP (tubular clear), W | |
|-------------|------------|--------|-------------------------|----------------------|
| | Ø (mm) | H (mm) | HPS | MH |
| LRA-84600 E | 780 | 785 | 50 / 70 | 70 |
| LRA-84600 G | 780 | 785 | 100/150/250 | 100/150/250 |
| LRA-84600 D | 780 | 785 | -- -- | 20/ 35/ 70/ 100/ 150 |